

SONY

Hi-Fi Products
Service Bulletin

Sony Service Company - Technical Services
A Division of Sony Corporation of America
Sony Drive, Park Ridge, New Jersey 07656

Model: CFD-64

No. 81

Subject: Part Number Correction

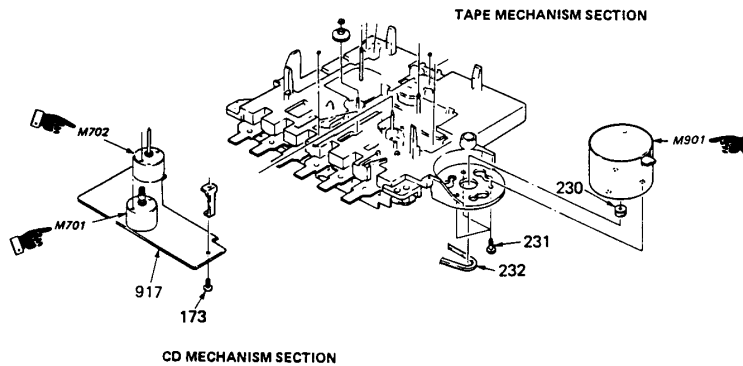
Date: July 25, 1989

Symptom:
(**)

The part numbers listed in the service manual for the sled motor (M701), the spindle motor (M702), and the pulley motor (M901) are incorrect.

Solution: The correct part numbers are listed below. Please add the correct part numbers to your service manual.

Ref. No.	Description	Part Number	
		Incorrect	Correct
M701	Sled Motor	X-2640-770-1	X-2641-344-1
M702	Spindle Motor	1-541-621-11	1-541-621-12
M901	Pulley Assembly Motor	X-3313-308-1	1-541-231-00



Reference: T/N AU89022

PRINTED IN U.S.A.
CSA-13789-5

CSA-13 Portable Stereo